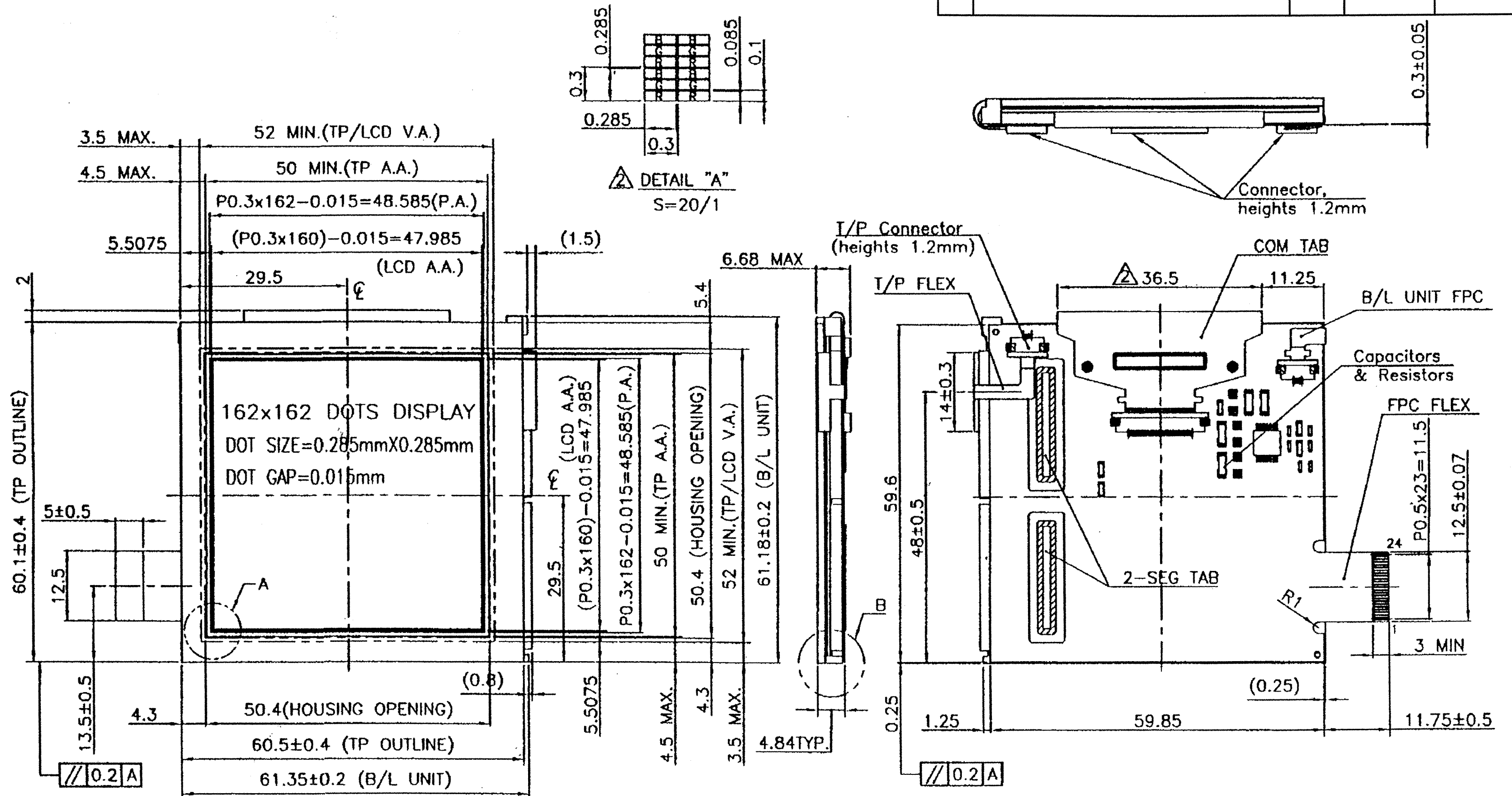


THIS DOCUMENT CONTAINS CONFIDENTIAL AND PROPRIETARY INFORMATION OF THREE-FIVE SYSTEMS, INC. AND NEITHER IT NOR THE INFORMATION CONTAINED THEREIN SHALL BE DISCLOSED TO OTHERS OR DUPLICATED OR USED FOR OTHERS WITHOUT THE EXPRESS WRITTEN CONSENT OF THREE-FIVE SYSTEMS, INC.

MODIFIED BY THREE-FIVE SYSTEMS INC.

REVISIONS				
REV	DESCRIPTION	CHG. #	DATE	BY/APP'D
X	XXXXX	XXXXX	XX/XX/XX	XXX



Pin No	Symbol	Level	Function
1	D0	-	Data
2	D1	-	Data
3	D2	-	Data
4	D3	-	Data
5	VLED+	-	LED POWER
6	VLED-	-	LED GND
7	NC	-	NC
8	FLM	-	START SIGNAL FOR FRAME
9	CL1	-	DATA LATCH SIGNAL
10	CL2	-	DATA SHIFT CLOCK
11	DISP	-	LCD TURN ON SIGNAL(H-ON,L-OFF)
12	VDD	-	POWER SUPPLY FOR LOGIC(3.3V)
13	VSS	-	GND
14	VLCD	-	POWER SUPPLY FOR LCD(16.3V)
15	D4	-	Data
16	D5	-	Data
17	D6	-	Data
18	D7	-	Data
19	VSS	-	GND
20	VSS	-	GND
21	X1+	-	TOUCH PANEL
22	X2-	-	TOUCH PANEL
23	Y1+	-	TOUCH PANEL
24	Y2-	-	TOUCH PANEL

VIEWING DIRECTION

UNLESS OTHERWISE SPECIFIED DIMENSIONS ARE IN MILLIMETERS. TOLERANCES ARE: .X ± 0.3 .XX ± 0.25 .XXX ± 0.051 ANGLES ± 0.5	APPROVALS	DATE	<p>THREE-FIVE SYSTEMS, INC. 1600 N. DESERT DRIVE, TEMPE, AZ 85281-1230</p>
	DRAWN S. VANOSDALL	3/8/2004	
	DFTG CHK		
	APPROVED BY ENG		
TOP LEVEL BOM XXXXX	APPROVED BY MFG		TSP161606
NEXT HIGHER ASSY DWG XXXXX	APPROVED BY QA		
DO NOT SCALE DRAWING	THIRD ANGLE PROJECTION		SCALE 1.0
			SIZE C
			DRAWING NUMBER XXXXX
			REV
			FORMERLY:
			SHEET 1 OF 1