

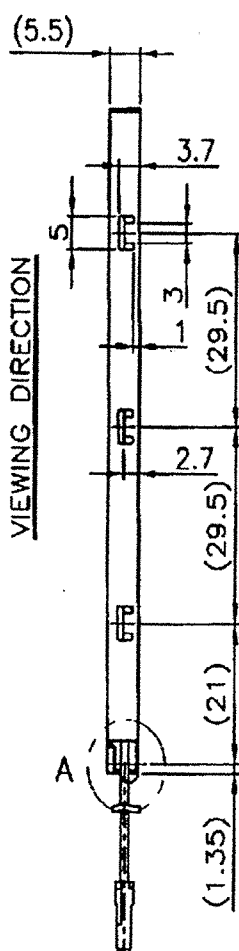
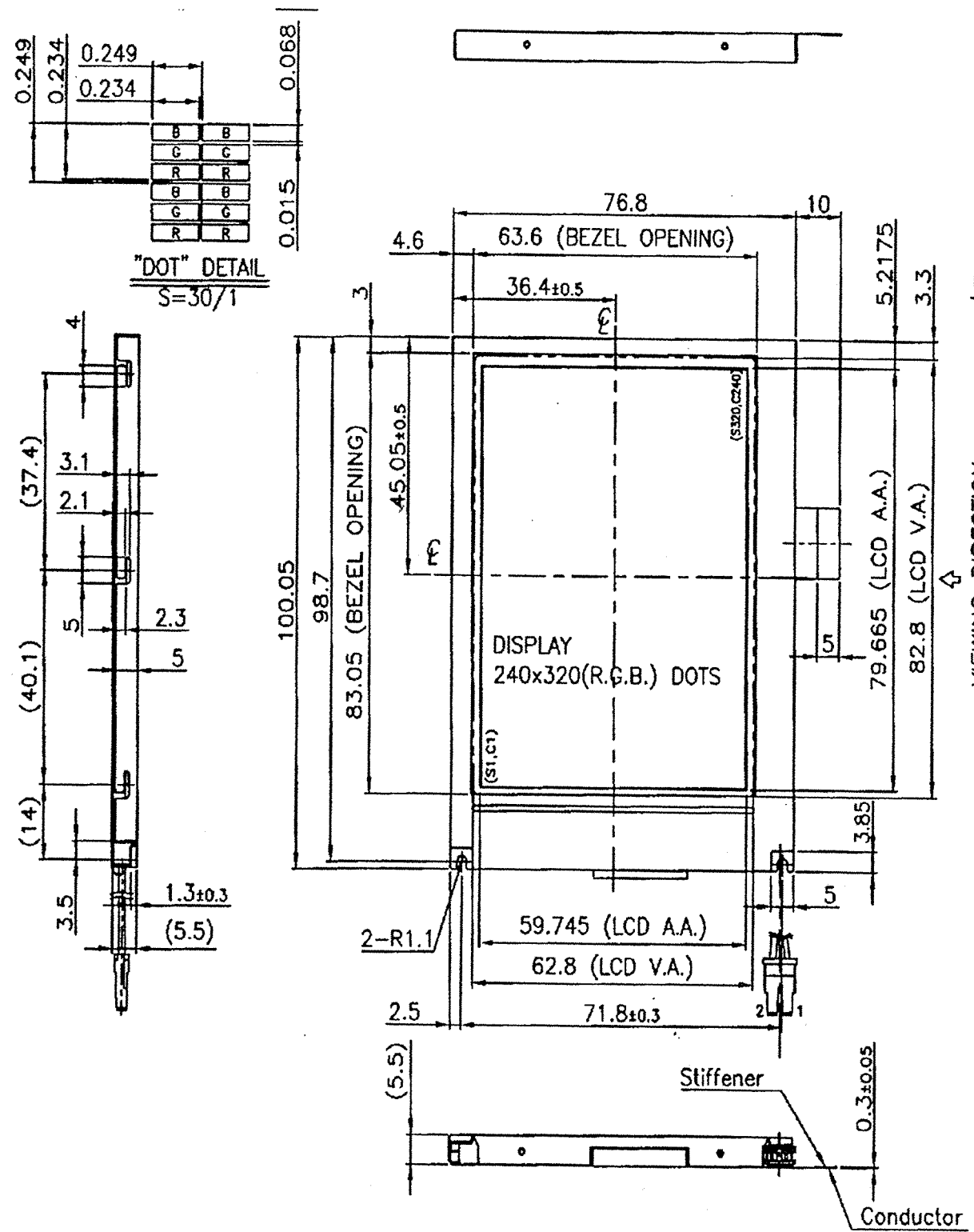
REV	DESCRIPTION	CHG. #	DATE	BY/APP'D
X	XXXXX	XXXXX	XX/XX/XX	XXX

\* PIN DESCRIPTION

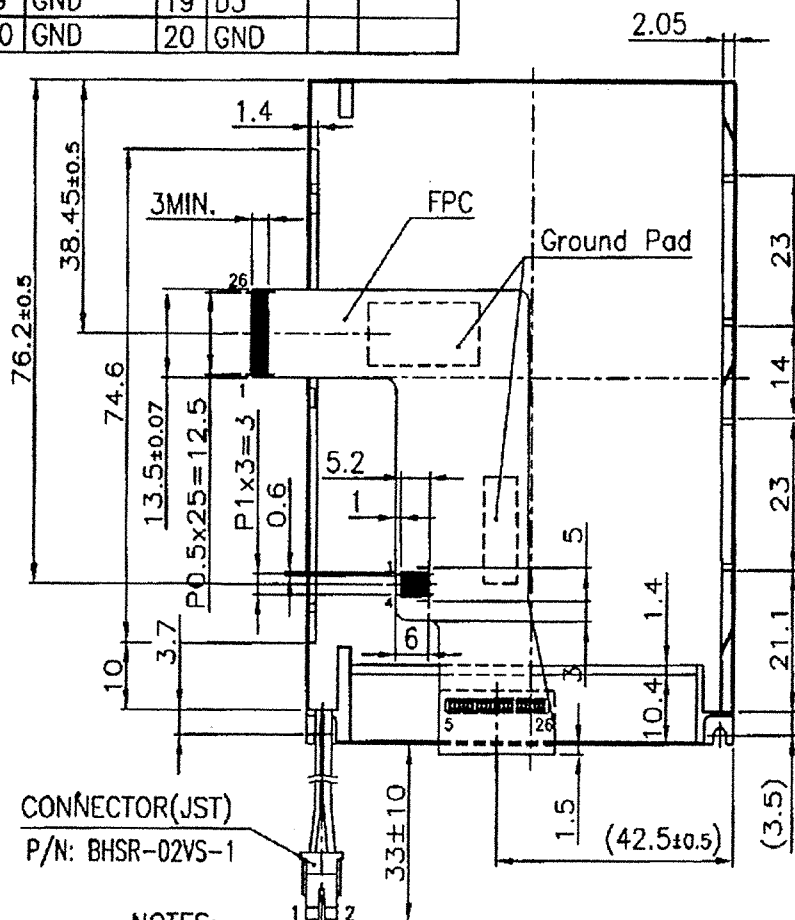
No.	PIN NAME	No.	PIN NAME	No.	PIN NAME
1	XL	11	D7	21	GND
2	YU	12	D6	22	FLM
3	XR	13	D5	23	CL1
4	YB	14	D4	24	CL2
5	GND	15	DISPOFF	25	M
6	GND	16	D0	26	GND
7	VEE	17	D1		
8	VDD	18	D2		
9	GND	19	D3		
10	GND	20	GND		

\* CONNECTOR(CCFL)

No.	PIN NAME
1	GND
2	HOT



DETAIL "A"  
S=1/1



- NOTES:
- DISPLAY TYPE: COLOR STN
  - VIEWING DIRECTION: 3 O'CLOCK
  - POLARIZER MODE: TRANSMISSIVE/POSITIVE
  - DRIVE METHOD: 1/240 DUTY ; 1/14 BIAS
  - OPERATING VOLTAGE: 23.5 V
  - OPERATING TEMP: 0°C ~ +55°C
  - STORAGE TEMP: -20°C ~ +60°C
  - BLACK LIGHT: CCFL

APPROVALS	DATE
DRAWN S. VANOSDALL	3/8/2004
DFTG CHK	
APPROVED BY ENG	
APPROVED BY MFG	
APPROVED BY QA	
THIRD ANGLE PROJECTION	

**THREE-FIVE SYSTEMS, INC.**  
 1600 N. DESERT DRIVE, TEMPE, AZ 85281-1230

TSP3224051-CC01

SCALE 1.0	SIZE C	DRAWING NUMBER XXXXX	REV
FORMERLY:		SHEET 1 OF 1	

DO NOT SCALE DRAWING